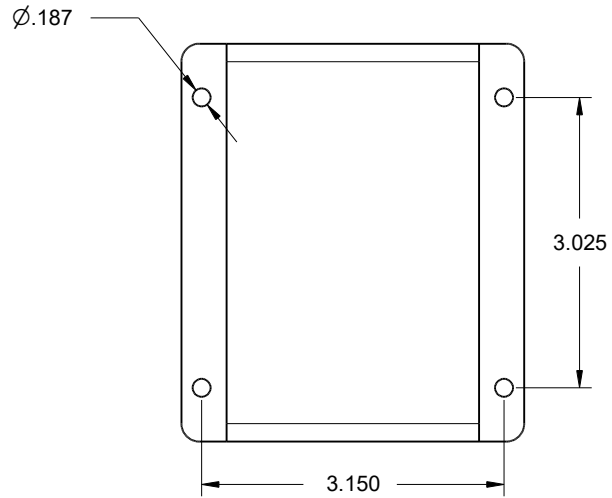




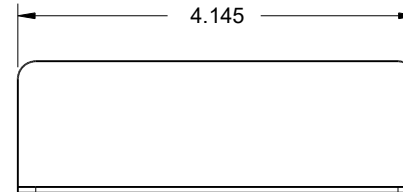
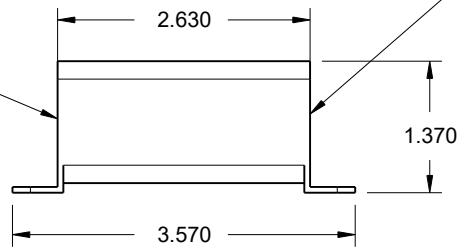
REVISIONS

ZONE	REV	DESCRIPTION	DATE	APPROVED
------	-----	-------------	------	----------



CAN, power, serial, and analog output connections

Thermocouple inputs



	DRAWN MAC	DATE 1-10-2019				
	CHECKED					
	QA					
	MFG		SIZE A	FSCM NO.	DWG NO. CAN-EGT	REV
	APPROVED		SCALE 1:1		SHEET 1 OF 1	

